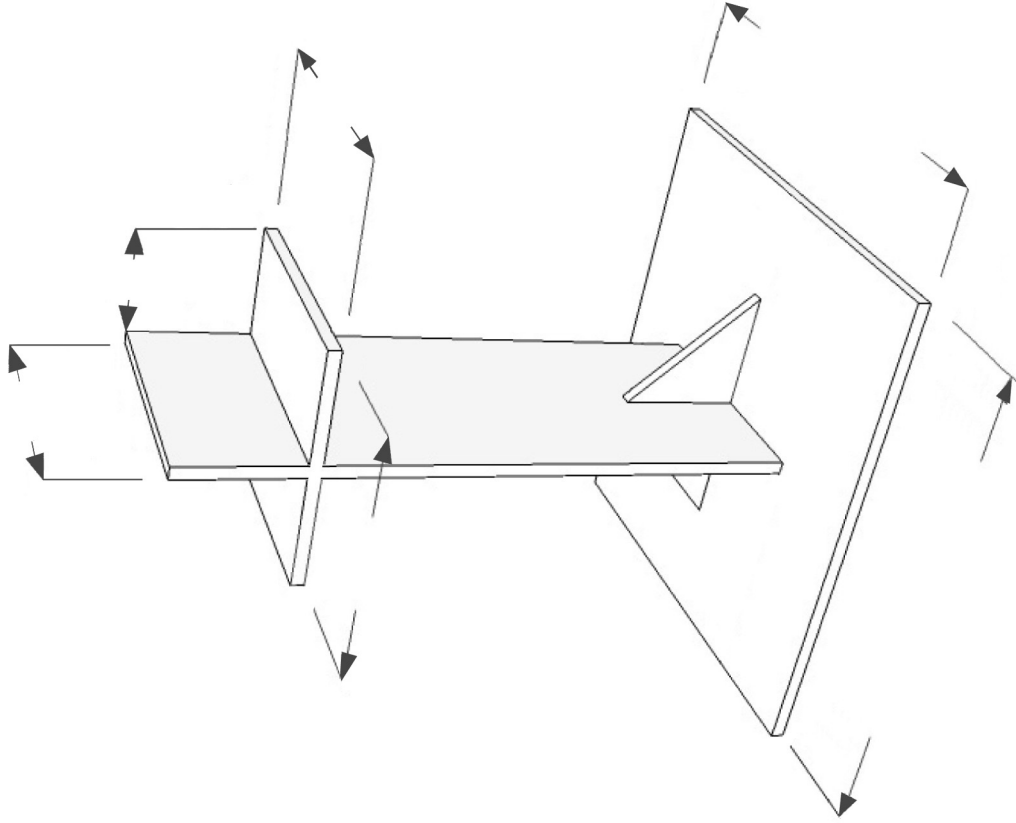




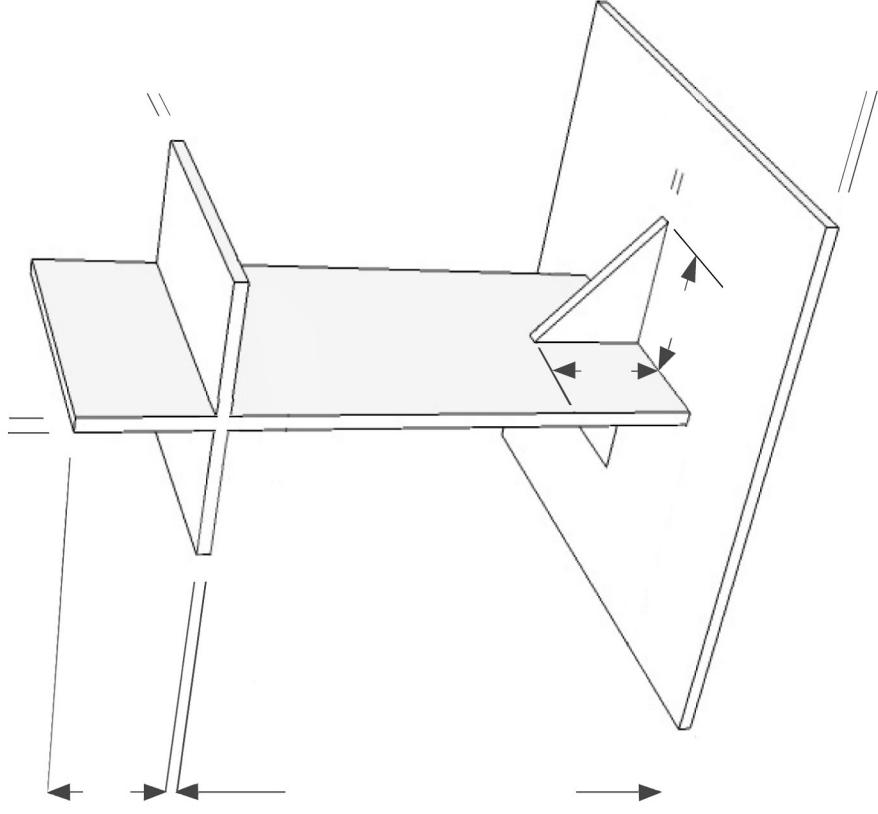
Email: sales@bracketsandbolts.com
Fax: 01 206 793200
Tel: 01 206 793100

Brackets and Bolts/ Bespoke Designer

Shoe Type 2



All Dimensions in Millimeters



Bespoke Designer Request Form

Customer Information

Product: Shoe Type 2

Please add measurements to page 1

Name:

Company:

Site/ Ref:

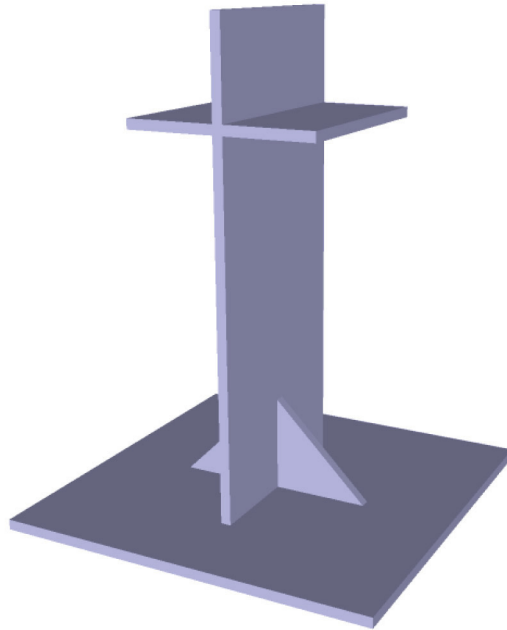
Tel No:

Fax:

Email:

Order To Place: Tender:

Required By (Date):



Notes: Please add any other useful Information

Quantity:

Material Selection

Mild Steel: No Finish Primed Galvanised Powder Coated

Stainless Steel: (304) (316) Aluminium: